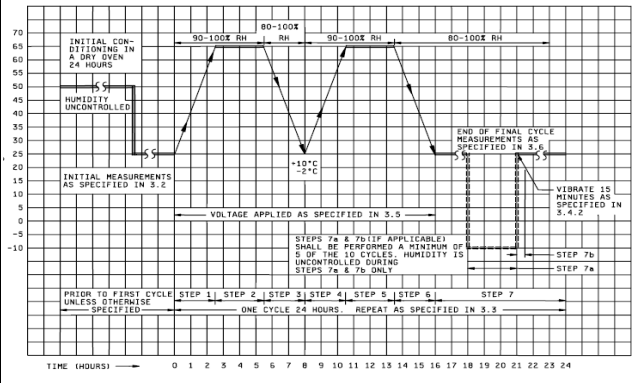


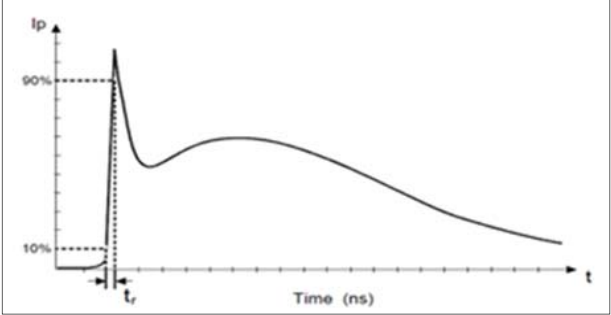
Reliability and Test Condition

| Item | Performance | Test Condition |
|---|--|---|
| Operating Temperature | -55°C~+155°C (Including self - temperature rise) | |
| Storage temperature and Humidity range | 1. -10~+40°C,50~60%RH (Product with taping) 2. -55~+155°C (on board) | |
| Electrical Performance Test | | |
| Inductance | Refer to standard electrical characteristics list | HP4284A,CH11025,CH3302,CH1320,CH1320S LCR Meter. |
| RDC | | CH16502,Agilent33420A Micro-Ohm Mete |
| Saturation Current (Isat) | Approximately $\Delta L30\%$ | Saturation DC Current (Isat) will cause L0 to drop $\Delta L(\%)$ |
| Heat Rated Current (Irms) | Approximately $\Delta T40^{\circ}\text{C}$ | Heat Rated Current (Irms) will cause the coil temperature rise $\Delta T(^{\circ}\text{C})$. 1.Applied the allowed DC current 2.Temperature measured by digital surface thermometer |
| Reliability Test | | |
| High Temperature Exposure(Storage) (AEC-Q200) | | Preconditioning: Run through IR reflow for 3 times. (IPC/JEDEC J-STD-020E Classification Reflow Profiles) Temperature : $155\pm 2^{\circ}\text{C}$ (Inductor) Duration : 1000hrs Min. Measured at room temperature after placing for 24 ± 2 hrs |
| Temperature Cycling (AEC-Q200) | | Preconditioning: Run through IR reflow for 3 times. (IPC/JEDEC J-STD-020E Classification Reflow Profiles) Condition for 1 cycle Step1 : $-55\pm 2^{\circ}\text{C}$ 30min Min. (Inductor) Step2 : $155\pm 2^{\circ}\text{C}$ transition time 1min MAX. Step3 : $155\pm 2^{\circ}\text{C}$ 30min Min. Step4 : Low temp. transition time 1min MAX. Number of cycles : 1000 Measured at room temperature after placing for 24 ± 2 hrs |
| Moisture Resistance (AEC-Q200) | Appearance : No damage. Inductance : within $\pm 10\%$ of initial value RDC : within $\pm 15\%$ of initial value and shall not exceed the specification value. | t=24 hours/cycle. Note:Steps 7a & 7b Unpowered.  |
| Biased Humidity (AEC-Q200) | | Preconditioning: Run through IR reflow for 2 times. (IPC/JEDEC J-STD-020E Classification Reflow Profiles) Humidity : $85\pm 3\%$ R.H, Temperature : $85^{\circ}\text{C}\pm 2^{\circ}\text{C}$ Duration : 1000hrs Min with 100% rated current. Measured at room temperature after placing for 24 ± 2 hrs |

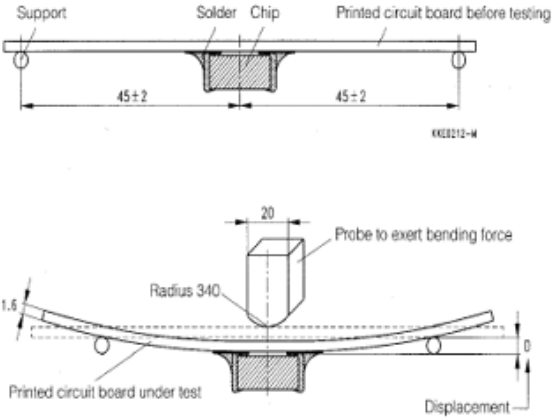
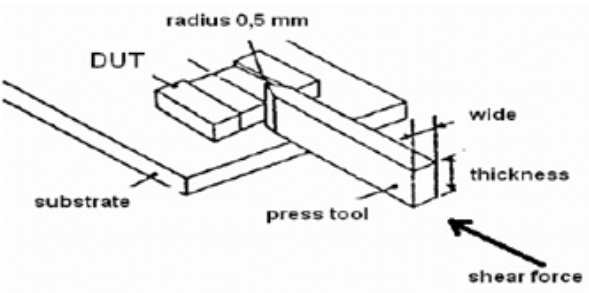
Reliability and Test Condition

| Item | Performance | Test Condition | | | | | | | | | | | | | | | |
|--|--|---|--------------------------|--|----------------------------|-----------|----------------------------|-----|-----|---|-----------|------|------|-----|---|-----------|------|
| Reliability Test | | | | | | | | | | | | | | | | | |
| High Temperature Operational Life (AEC-Q200) | Appearance : No damage. Inductance : within±10% of initial value RDC : within ±15% of initial value and shall not exceed the specification value. | Preconditioning: Run through IR reflow for 3 times. (IPC/JEDEC J-STD-020E Classification Reflow Profiles) Temperature : 155±2°C (Inductor) Duration : 1000hrs Min. with 100% rated current. Measured at room temperature after placing for 24±2 hrs | | | | | | | | | | | | | | | |
| External Visual | Appearance : No damage | Inspect device construction, marking and workmanship. Electrical Test not required. | | | | | | | | | | | | | | | |
| Physical Dimension | According to the product specification size measurement | According to the product specification size measurement | | | | | | | | | | | | | | | |
| Resistance to Solvents | Appearance : No damage | Add aqueous wash chemical - OKEM clean or equivalent. | | | | | | | | | | | | | | | |
| Mechanical Shock | Appearance : No damage. Inductance : within±10% of initial value RDC : within ±15% of initial value and shall not exceed the specification value. | Preconditioning: Run through IR reflow for 3 times. (IPC/JEDEC J-STD-020E Classification Reflow Profiles) Test condition <table border="1"> <thead> <tr> <th>Type</th> <th>Peak value (g's)</th> <th>Normal duration (D) (ms)</th> <th>Wave form</th> <th>Velocity change (Vi)ft/sec</th> </tr> </thead> <tbody> <tr> <td>SMD</td> <td>100</td> <td>6</td> <td>Half-sine</td> <td>12.3</td> </tr> <tr> <td>Lead</td> <td>100</td> <td>6</td> <td>Half-sine</td> <td>12.3</td> </tr> </tbody> </table> 3 shocks in each direction along 3 perpendicular axes (18 shocks). | Type | Peak value (g's) | Normal duration (D) (ms) | Wave form | Velocity change (Vi)ft/sec | SMD | 100 | 6 | Half-sine | 12.3 | Lead | 100 | 6 | Half-sine | 12.3 |
| Type | | Peak value (g's) | Normal duration (D) (ms) | Wave form | Velocity change (Vi)ft/sec | | | | | | | | | | | | |
| SMD | | 100 | 6 | Half-sine | 12.3 | | | | | | | | | | | | |
| Lead | 100 | 6 | Half-sine | 12.3 | | | | | | | | | | | | | |
| Vibration | Preconditioning: Run through IR reflow for 3 times. (IPC/JEDEC J-STD-020E Classification Reflow Profiles) Oscillation Frequency: 10Hz~2KHz~10Hz for 20 minute Equipment : Vibration checker Total Amplitude: 5g Testing Time : 12 hours(20 minutes, 12 cycles each of 3 orientations) ° | | | | | | | | | | | | | | | | |
| Resistance to Soldering Heat | Test condition:(MIL-STD-202 Condition B) Number of heat cycles:1 <table border="1"> <thead> <tr> <th>Temperature(°C)</th> <th>Time(s)</th> <th>Temperature ramp/immersion and emersion rate</th> </tr> </thead> <tbody> <tr> <td>260±5 (solder temp)</td> <td>10±1</td> <td>25mm/s±6mm/s</td> </tr> </tbody> </table> Depth: completely cover the termination | Temperature(°C) | Time(s) | Temperature ramp/immersion and emersion rate | 260±5 (solder temp) | 10±1 | 25mm/s±6mm/s | | | | | | | | | | |
| Temperature(°C) | Time(s) | Temperature ramp/immersion and emersion rate | | | | | | | | | | | | | | | |
| 260±5 (solder temp) | 10±1 | 25mm/s±6mm/s | | | | | | | | | | | | | | | |
| Thermal shock (AEC-Q200) | Preconditioning: Run through IR reflow for 3 times. (IPC/JEDEC J-STD-020E Classification Reflow Profiles) Condition for 1 cycle Step1 : -55±2°C 15±1min Step2 : 155±2°C within 20Sec. Step3 : 155±2°C 15±1min Number of cycles : 300 Measured at room tempraturc after placing for 24±2 hrs | | | | | | | | | | | | | | | | |

Reliability and Test Condition

| Item | Performance | Test Condition |
|-----------------------------|---|--|
| Reliability Test | | |
| ESD | Appearance : No damage. |  <p>Direct Contact and Air Discharge PASSIVE COMPONENT HBM ESD Discharge Waveform to a Coaxial Target Test method: AEC-Q200-002 Test mode : Contact Discharge Discharge level : 4 KV (Level: 2)</p> |
| Solderability | More than 95% of the terminal electrode should be covered with solder ◦ | <p>a. Method B1, 4 hrs @155°C dry heat @255°C±5°C Test time:5 +0/-0.5 seconds.</p> <p>b. Method D category 3. (steam aging 8hours ± 15 min) @ 260°C±5°C Test time: 30 +0/-0.5 seconds.</p> |
| Electrical Characterization | Refer Specification for Approval | Summary to show Min, Max, Mean and Standard deviation |
| Flammability | Electrical Test not required | V-0 or V-1 are acceptable. |

Reliability and Test Condition

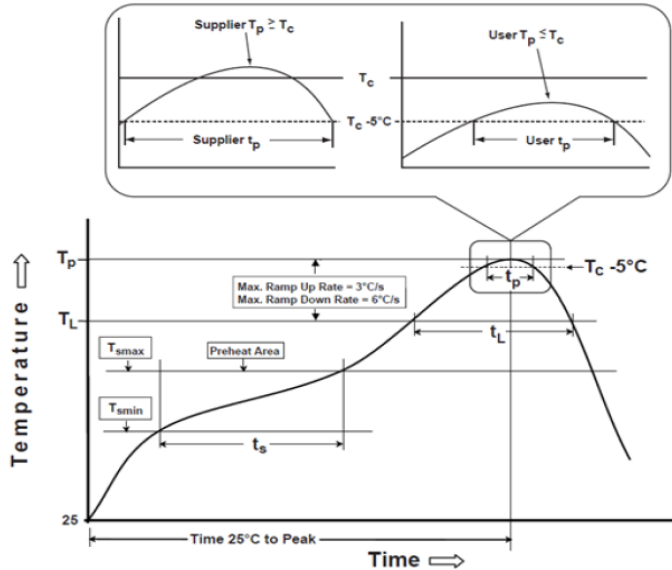
| Item | Performance | Test Condition |
|-------------------------|------------------------|---|
| Reliability Test | | |
| Board Flex | Appearance : No damage | <p>Preconditioning: Run through IR reflow for 3 times. (IPC/JEDEC J-STD-020E Classification Reflow Profiles) Place the 100mm X 40mm board into a fixture similar to the one shown in below Figure with the component facing down. The apparatus shall consist of mechanical means to apply a force which will bend the board (D) x = 2 mm minimum. The duration of the applied forces shall be 60 (+ 5) sec. The force is to be applied only once to the board.</p>  |
| Terminal Strength (SMD) | Appearance : No damage | <p>Preconditioning: Run through IR reflow for 3 times. (IPC/JEDEC J-STD-020E Classification Reflow Profiles) With the component mounted on a PCB with the device to be tested, apply a 17.7 N (1.8 Kg) force to the side of a device being tested. This force shall be applied for 60 +1 seconds. Also the force shall be applied gradually as not to apply a shock to the component being tested.</p>  |

Note : When there are questions concerning measurement result : measurement shall be made after 48 ± 2 hours of recovery under the standard condition.

Reliability and Test Condition

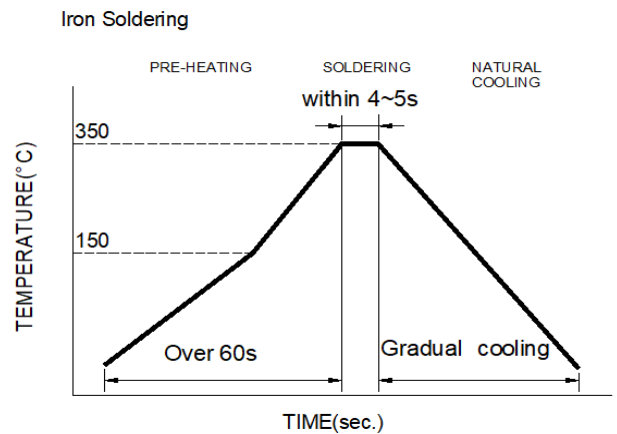
| Item | Performance | Test Condition |
|-------------------------------|---|----------------|
| Soldering and Mounting | | |
| Soldering | Mildly activated rosin fluxes are preferred. JANTEK terminations are suitable for re-flow soldering systems. If hand soldering cannot be avoided, the preferred technique is the utilization of hot air soldering tools. | |
| IR Soldering Reflow: | Recommended temperature profiles for lead free re-flow soldering in Figure 1. Table 1.1&1.2 (J-STD-020E) | |
| Iron Reflow: | <p>Products attachment with a soldering iron is discouraged due to the inherent process control limitations. In the event that a soldering iron must be employed the following precautions are recommended.(Fig. 2)</p> <p>Note :</p> <ul style="list-style-type: none"> • Preheat circuit and products to 150°C • Never contact the ceramic with the iron tip • Use a 20 watt soldering iron with tip diameter of 1.0mm • 355°C tip temperature (max) • 1.0mm tip diameter (max) • Limit soldering time to 4~5 sec | |

Fig.1 Soldering Reflow



Reflow times : 3 times max

Fig.2 Iron soldering temperature profiles



Iron Soldering times : 1 times max
Soldering iron Method : 350± 5°C max

Soldering Specifications

Table (1.1): Reflow Profiles

| Profile Type: | Pb-Free Assembly |
|---|------------------|
| Preheat | |
| -Temperature Min(T_{smin}) | 150°C |
| -Temperature Max(T_{smax}) | 200°C |
| -Time(t_s)from(T_{smin} to T_{smax}) | 60-120seconds |
| Ramp-up rate(T_L to T_p) | 3°C/second max. |
| Liquidus temperature(T_L) | 217°C |
| Time(t_L)maintained above T_L | 60-150 seconds |
| Classification temperature(T_c) | See Table (1.2) |
| Time(t_p) at $T_c - 5^\circ\text{C}$ (T_p should be equal to or less than T_c .) | * < 30 seconds |
| Ramp-down rate(T_p to T_L) | 6°C /second max. |
| Time 25°C to peak temperature | 8 minutes max. |

T_p: maximum peak package body temperature, **T_c**: the classification temperature.

For user (customer) **T_p** should be equal to or less than **T_c**.

* Tolerance for peak profile temperature (T_p) is defined as a supplier minimum and a user maximum.

Table (1.2) Package Thickness/Volume and Classification Temperature(T_c)

| | Package Thickness | Volume mm ³ <350 | Volume mm ³ 350-2000 | Volume mm ³ >2000 |
|------------------|-------------------|--------------------------------|------------------------------------|---------------------------------|
| PB-Free Assembly | <1.6mm | 260°C | 260°C | 260°C |
| | 1.6-2.5mm | 260°C | 250°C | 245°C |
| | ≥2.5mm | 250°C | 245°C | 245°C |

Reflow is referred to standard IPC/JEDEC J-STD-020E

Notes

- (1) When there are questions concerning measurement result : measurement shall be made after 48 ± 2 hours of recovery under the standard condition.
- (2) This power choke coil itself does not have any protective function in abnormal condition such as overload, short-circuit and open-circuit conditions, etc. Therefore, it shall be confirmed as the end product that there is no risk of smoking, fire, dielectric withstand voltage, insulation resistance, etc. in abnormal conditions to provide protective devices and/or protection circuit in the end product.
- (3) When this power choke coil was used in a similar or new product to the original one, sometimes it might not be able to satisfy the specifications due to different condition of use.
- (4) Dielectric withstanding test with higher voltage than specific value will damage insulating material and shorten its life.
- (5) This power choke coil must not be used in wet condition by water, coffee or any liquid because insulation strength becomes very low in this condition.
- (6) Please consult our company to confirm the reliability of the process required to wash or use or exposure to a chemical solvent used in this product. PCB washing tested to MIL-STD-202 Method 7 and dry it off immediately.
- (7) The rated current as listed is either the saturation current or the heating current depending on which value is lower.
- (8) If this power choke is dipped in the cleaning agent, such as toluene, xylene, ketone, and ether system, there is a possibility that the performance decreases greatly and marking disappearance.
- (9) The high power ultrasonic washing may damage the choke body.
- (10) Before use, the user should determine whether this product is suitable for their own design. Our company only guarantees that the product meets the requirements of this specification.

Application Notice

• Storage Conditions

To maintain the solderability of terminal electrodes:

1. Products meet IPC/JEDEC J-STD-020E standard-MSL, level 1.
2. Temperature and humidity conditions: Less than 40°C and 60% RH.
3. Recommended products should be used within 12 months from the time of delivery.
4. The packaging material should be kept where no chlorine or sulfur exists in the air.

• Transportation

1. Products should be handled with care to avoid damage or contamination from perspiration and skin oils.
2. The use of tweezers or vacuum pick up is strongly recommended for individual components.
3. Bulk handling should ensure that abrasion and mechanical shock are minimized.